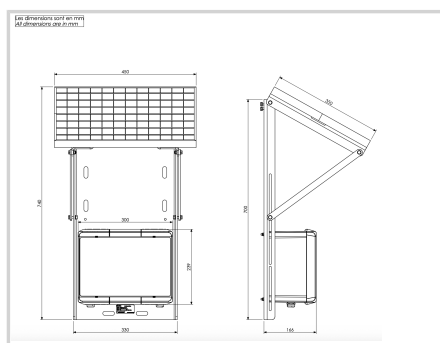


12Vdc custom packaged solar kit including 20 watts peak solar panel with a battery capacity of 24Ah for a medium intensity type B OFC-RI-SOL at 20 flashes per minute

Advantages



- tilt possible of the solar panel depending on latitude of each country
- Initial capacity of the battery with more than 6 days of autonomy at night offering limited maintenance cost
- high capacity battery
- Very easy maintenance : changing the battery is easy and quick whatever is the tilt of the solar panel
- Protection of the battery against overcharges and deep discharge
- Accessories to attach the solar kit on vertical leg or horizontal leg included
- OFC-RI-SOL to be ordered separately



Electrical Characteristics	
Nominal capacity	24Ah (C20)
Mechanical Characteristics	
Weight	19.4 kg
Attachment	brackets for vertical or horizontal leg