

Red medium intensity FAA L-864 (AC 150/5345-43J) ETL certified

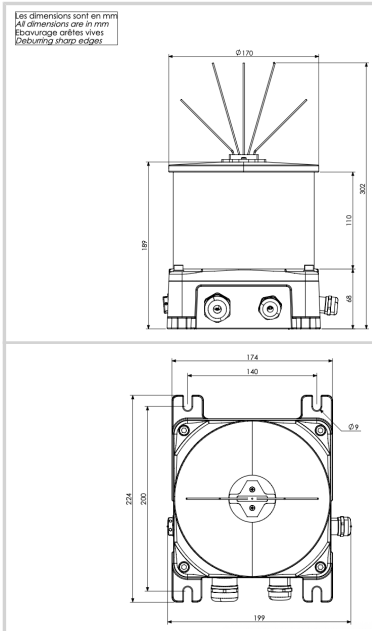
Flash-head with integrated power supply



Patents: EP 1966535B1 & US 7816843

- 6 Obsta optics with cover in hard glass and aluminium base
- Simple installation with no losing parts when opening the flash-head
- Power supply inside the flash-head
- NVG compatible (with IR)
- Alarm in compliance with FAA Engineering Brief 98
- Surge protection with indicator showing when it has failed included
- membrane vent
- Top sync coming from external controller 113786-048-G
- Choice of the configurations (ICAO medium intensity type B (20, 30, 40, 50 ou 60 flashes per minute) or ICAO medium intensity type C or FAA L-864) through dip-switches inside the light, to be specified at time order

Provided with 3 meters of shielded cable 7G1,5



Electrical Characteristics	
Main voltage	48VDC (-10%; +15%)
Average wattage	10W (ICAO and FAA configuration @ 30 flashes per minute)
Mechanical Characteristics	
IP degree	IP66
Wiring	Entry of cable by glands nickel plated brass and connection by terminals
Operating temperature	-40/+55°C
Weight	5kg
Size of the light	220mm x 190mm x 190mm
Cable entry diameter	from 7 to 13 mm
Wire cross section	up to 6mm ² for power supply, up to 1,5mm ² for signal
Attachment	4 mounting holes dia.9mm, 200mm x 140mm
Photometric Characteristics	
IR intensity and wavelength	> 600mW/sr @ 800-900nm
Effective light output night mode at 0° on site	2000cd (red) with IR
Color night time	Red
Vertical beam spread	>3°
Horizontal beam spread	360°
Flash per minute	30
Standards	
Standards compliance	ICAO annex 14 chapter 6, FAA (AC 150/5345-43J), UK MOD, Transport Canada
Certification	FAA (AC 150/5345-43J), ETL certified, DGAC(Fr)