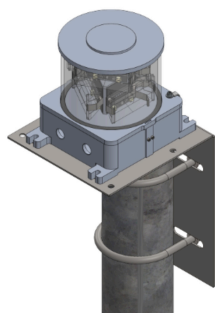
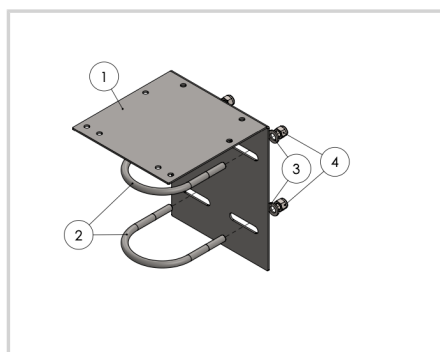


Holder for OFC



Stainless bracket to fix any OFC medium intensity on a vertical tube

This kit includes bolts and washers for the 2 U-bolt only



Mechanical Characteristics	
Diameter of the tube	114 mm