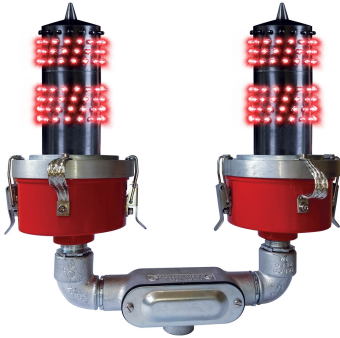
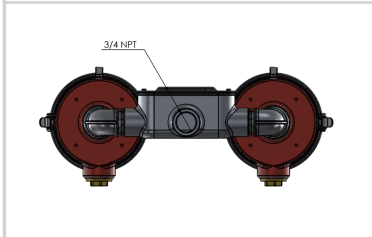
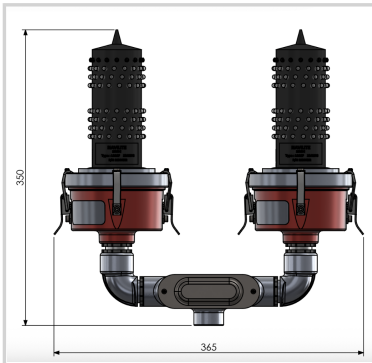


Double steady-burning light NAVILITE-F-120-240V should be installed when used as a top light in areas or locations where the failure of a single unit could cause an obstruction to be totally unlighted



- 2 lights NAVILITE-IR-FAA-120-240V P/N113969IR FAA listed with infrared completely molded with independent power supplies
- "main and back-up" or simultaneous operation depending on the wiring
- Surge protection included
- Alarm contact normally open and normally close both available
- 3/4"NPT threaded holes for mounting
- No losing part during installation



Electrical Characteristics	
Wattage	12 W
Life time	~10years
Main voltage	90VAC to 277VAC 50/60Hz
Mechanical Characteristics	
IP degree	IP66
Wiring	On 4 stripped wires (2 for each lamp)
Operating temperature	-40/+55°C
Weight	3,5kg
Wire cross section	from 1 to 2,5 mm ²
Attachment	vertical NPT threaded holes
Photometric Characteristics	
Luminous intensity	> 32,5 Cd
Color night time	Red fixed
Vertical beam spread	>10°
Horizontal beam spread	360°
Standards	
Standards compliance	ICAO annex 14 chapter 6, FAA (AC 150/5345-43J), UK MOD, Transport Canada
Certification	FAA (AC 150/5345-43J), ETL certified, DGAC(Fr)