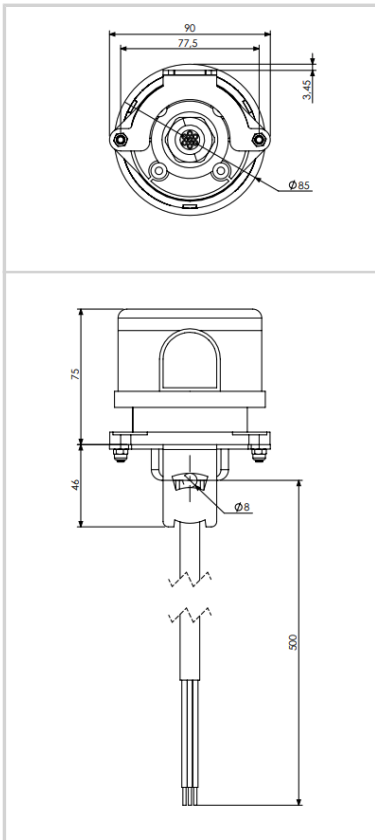


**Calibrated ambient sensor (photo cell) for twilight-night intensity change in accordance with ICAO and FAA for all OBSTA lights or for the change of color and light-intensity**



- plug-in modular construction with plated contact surfaces
- possibility to rotate the sensor on its base
- automatic control of the red or dual obstruction lighting according to ambient light in compliance with FAA and ICAO twilight/night triggering level (2 output signals available for night and twilight)
- timer to prevent the functioning of the cell at inopportune times (lightning)
- this photocell is provided with a bracket to fix it on a wall and 40cm of molded cable
- This photocell has been ETL certified to control with our dual color medium intensity L-865/L-864 for day/night change and our high intensity L-856 for day/twilight/night change



Electrical Characteristics	
Main voltage	12VDC to 48VDC -10%/+15%
Average wattage	1.5VA
Max. admissible current	2A contact closed for the night mode and 0,3A for the twilight mode
Mechanical Characteristics	
Cable diameter	Ø11mm
IP degree	IP65 in vertical position
Wiring	On 4 stripped wires 4x1,5mm <sup>2</sup> (length of cable 50cm) (2 power wires, 2 signal wires twilight & night)
Operating temperature	-35°C/+60°C
Weight	0.42 kg
Attachment	vertical bracket
Standards	
Standards compliance	ICAO annex 14 chapter 6, FAA (AC 150/5345-43J), UK MOD, Transport Canada
Certification	FAA (AC 150/5345-43J), ETL certified, DGAC(Fr)