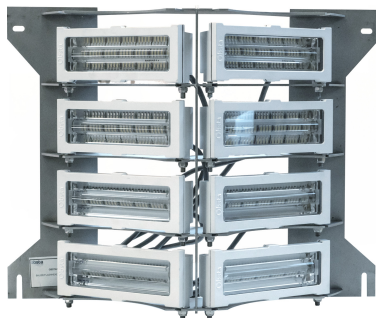


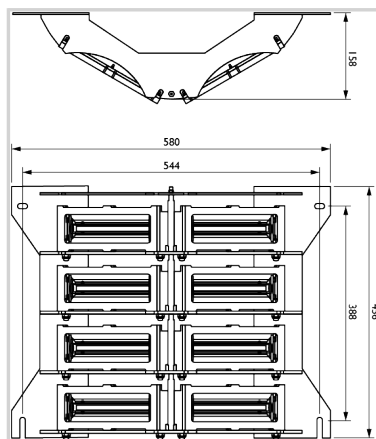
Spare part for led lights



Flashhead

- 8 led projectors with molded cable with ou without connectors
- Aluminium and glass envelope
- Stainless support for the 8 projectors
- No losing parts and no special tools required to remove projectors
- Junction box and/or power supply to be ordered separately

Option length of cable : 2 meters



| Mechanical Characteristics | |
|--|---|
| IP degree | IP66 per projector |
| Wiring | On stripped wires |
| Operating temperature | -40/+55°C |
| Weight | 19kg for flashhead |
| Weight | 19kg for flashhead |
| Photometric Characteristics | |
| Effective light output day time at 0° on site | 200 000cd (white) |
| Effective light output twilight mode at 0° on site | 20 000cd (white) |
| Effective light output night mode at 0° on site | 2000cd (white) |
| Color day/twilight time | white |
| Color night time | White |
| Vertical beam spread | >3° |
| Horizontal beam spread | 360° with minimum 3 flashheads fixed at 120° around the obstacle |
| Standards | |
| Standards compliance | ICAO annexe 14 chapter 6 (8th edition 07/2018), EASA (4th edition 2017) |