

***This OBSTAFLASH120 ou 180 dual color medium intensity type A and B (or C) is designed for day and night marking of obstacle such as chimneys, pylons and high rise buildings (3 or more lights are required per level depending on diameter of the obstacle)***



EP3230651, FR1462349, Pat. 10,247,386

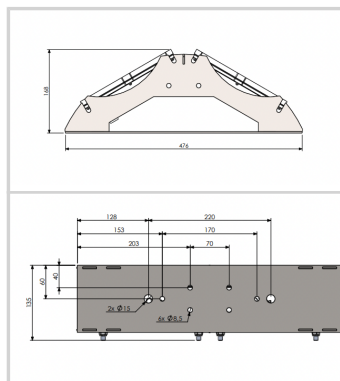
The flashhead includes

- 2 led projectors with molded cable (X meters of cable 0.75, 5, 10 or 15 meters de be specified)
- Stainless support for the 2 projectors

Each projector must be connected (directly or through a junction box) to an external obsta

Patents: power cabinet

### Option length of cable : 3 meters



Mechanical Characteristics	
Wiring	On stripped wires
Operating temperature	-40/+55°C
Weight	5.5 kg
Weight	5.5 kg
Size of the light	120mm (height) x 480mm (width)
Photometric Characteristics	
Effective light output day time at 0° on site	20 000cd (white)
Effective light output twilight mode at 0° on site	20 000cd (white)
Effective light output night mode at 0° on site	2000cd (red) with IR
Color day/twilight time	white
Color night time	Red or white
Vertical beam spread	>3°
Horizontal beam spread	360° with minimum 3 flashheads fixed at 120° around the obstacle
Standards	
Standards compliance	ICAO annexe 14 chapter 6 (8th edition 07/2018), EASA (4th edition 2017)