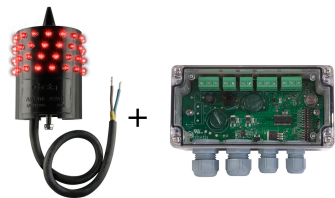
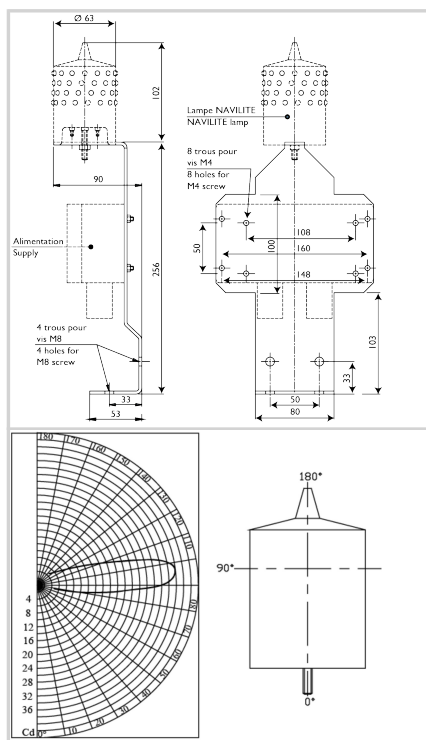


Red fixed low intensity type A and B



- Completely molded and perfectly waterproof
- Bird spike
- Total 64 leds wired 4 by 4 in active redundancy
- configuration as low intensity type B or low intensity type E
- Power supply with photocell, alarm and surge protection included
- Possibility to connect 1 to 3 additional NAVILITE-48V working simultaneously or 1 NAVILITE-48V in back-up on the same power supply

The stainless bracket NAVILITE-HOLDER for the NAVILITE and its command box should be ordered separately



Electrical Characteristics	
Wattage	6 W
Current drawn	500 mA (4 NAVILITE-48V max)
Life time	~10years
Main voltage	48VDC (-10%; +15%)
Mechanical Characteristics	
IP degree	IP66 for the light and IP65 for the power supply
Wiring	Terminal connection (2 power wires + ground)
Operating temperature	-40/+55°C
Weight	1,8 kg
Weight	1,8 kg
Size of the light	112mm (height) x 63mm (over diameter)
Wire cross section	from 1 to 2,5 mm ²
Attachment	1 screw M5 provided
Photometric Characteristics	
Luminous intensity	> 32cd
Color night time	Red
Vertical beam spread	>10°
Horizontal beam spread	360°
Standards	
Standards compliance	ICAO annexe 14 chapter 6 (8th edition 07/2018), EASA (4th edition 2017)