

This OBSTAFLASH120 ou 180 dual color medium intensity type A and B (or C) is designed for day and night marking of obstacle such as chimneys, pylons and high rise buildings (3 or more lights are required per level depending on diameter of the obstacle)

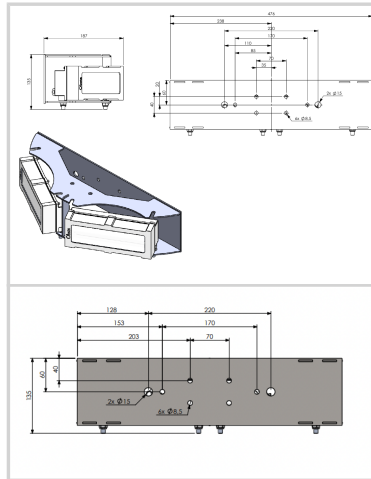


The L-865/L-864 dual color flashhead includes

- 2 obsta projectors coming with 10 meters of molded cable and molded cable
- Stainless support for the 2 projectors

This flash-head must be powered through external obsta power cabinet

Option length of cable : 10 meters



Mechanical Characteristics	
Wiring	On stripped wires
Operating temperature	-40/+55°C
Weight	5.5 kg
Weight	5.5 kg
Size of the light	120mm (height) x 480mm (width)
Photometric Characteristics	
Effective light output day time at 0° on site	20 000cd (white)
Effective light output twilight mode at 0° on site	20 000cd (white)
Effective light output night mode at 0° on site	2000cd (red) with IR
Color day/twilight time	white
Color night time	Red or white
Vertical beam spread	>3°
Horizontal beam spread	360° with minimum 3 flashheads fixed at 120° around the obstacle
Standards	
Standards compliance	ICAO annex 14 chapter 6, FAA (AC 150/5345-43H), EASA, DGAC, CAA (CAP 168)