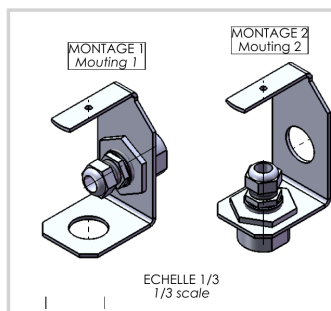




- Completely molded and perfectly waterproof
- Bird spike
- No grounding issue, class II
- Total 192 leds wired in 48 independant circuits of 4 leds each
- Luminous intensity 3 times higher than ICAO/FAA requirements

For installation on NPT 3/4", the NAVILITE must be fixed on its bracket below



Electrical Characteristics	
Wattage	12 W
Current drawn	250 mA
Life time	~10years
Main voltage	48VDC ± 10%
Mechanical Characteristics	
IP degree	IP66
Wiring	On stripped wires
Operating temperature	-40/+55°C
Weight	950 g
Size of the light	194mm (height) x 63mm (over diameter)
Attachment	1 screw M5 provided
Photometric Characteristics	
Luminous intensity	> 90 Cd
Color night time	Red fixed
Vertical beam spread	>10°
Horizontal beam spread	360°
Standards	
Standards compliance	ICAO annex 14 chapter 6, FAA AC 150/5345-43G
Certification	FAA (AC 150/5345-43G) ETL verified