

Led medium intensity dual color flashhead LS140 type - Compliant with medium intensity type A during the day - Compliant with Feuer W, rot during the night - Verified by the Ministry of transportation in Germany for Medium intensity type A during the day and Feuer W, rot during the night

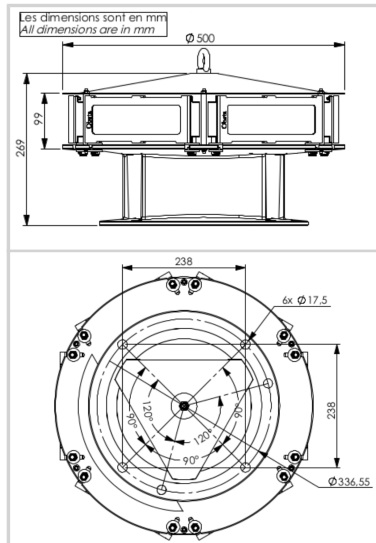


Flashhead

- 6 led projectors 113761HG
- 48VDC power supply
- Approved by Ministry of Transportation in Germany

Patents:

EP 1966535B1 & US 7816843



Electrical Characteristics	
Main voltage	48VDC -5%/+15% (max current 12A)
Average wattage	55W (day time), 8W (night mode)
Mechanical Characteristics	
IP degree	IP66 per projector
Wiring	Entry of cable by glands nickel plated brass and connection by terminals
Operating temperature	-40/+55°C
Weight	18kg
Size of the light	333mm (height) x 500mm (diameter)
Cable entry diameter	11 to 21mm
Wire cross section	from 1 to 4 mm ²
Attachment	6 mounting holes dia.16mm, dia.337mm circle (FAA standard)
Photometric Characteristics	
IR intensity and wavelength	> 600mW/sr @ 800-900nm
Effective light output day time at 0° on site	20 000cd (white)
Effective light output twilight mode at 0° on site	20 000cd (white)
Effective light output night mode at 0° on site	200cd (red morse)
Color day/twilight time	white
Color night time	Red
Vertical beam spread	>3° in white, feuer W rot in red
Horizontal beam spread	360°
Flash per minute	40
Standards	
Standards compliance	ICAO medium intensity type A during the day and Feuer W, rot during the night
Certification	LS140 Medium intensity type A + Feuer W, rot