

Xenon medium intensity type B compliant with ICAO medium intensity type B and compliant with FAA AC 150/5345-43G including a flashhead and a power supply (300m max)

Flashhead

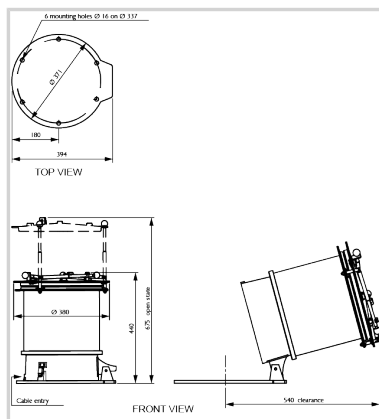
- 2 xenon flash tubes in redundancy
- Enveloppe and optic in glass
- No tools required to open the flashhead
- Aluminium body
- All electronic in the power supply (300m max)

Power supply

- 'Weather tight' stainless steel 316L power cabinet enclosure with safety interlock switch
- Long life dry capacitors
- 'Plug-in' modular construction
- Alarm relay and synchronisation card provided
- to be used with photocell 24Vdc P/N100754 and interconnecting cable P/N113805 (max length 300 meters) between flashhead and power supply
- in option wireless GPS interface for synchronisation P/N113746 and 24Vdc battery cabinet P/N113505



Patents: EP 1966535B1 & US 7816843



Electrical Characteristics	
Average wattage	140W
Mechanical Characteristics	
IP degree	IP65 for power cabinet in vertical position
Wiring	Entry of cable by glands nickel plated brass and connection by terminals
Operating temperature	-40/+55°C
Weight	18 kg
Weight	18 kg
Size of the light	494mm (height) x 394mm (over diameter)
Wire cross section	from 1 to 4 mm ²
Attachment	6 mounting holes dia.16mm, dia.337mm circle (FAA standard)
Photometric Characteristics	
Effective light output night mode at 0° on site	2000cd (red) with IR
Color night time	Red
Vertical beam spread	>3°
Horizontal beam spread	360°
Flash per minute	20, 40 or 60 flashes per minute
Standards	
Standards compliance	ICAO annex 14 chapter 6, FAA AC 150/5345-43G